

Technical Bulletin 027

– Quick Release Steering Bosses



Issue Date 24/07/2023

Revision 02

Lifeline Fire and Safety Systems Limited
Falkland Close, Charter Avenue Industrial Estate,
Coventry, West Midlands, CV4 8AU

Tel: +44 (0)24 7671 2999

Fax: +44 (0)24 7642 1322

Email: sales@lifeline-fire.co.uk

Technical Bulletin 027 –

REV2 24/07/23

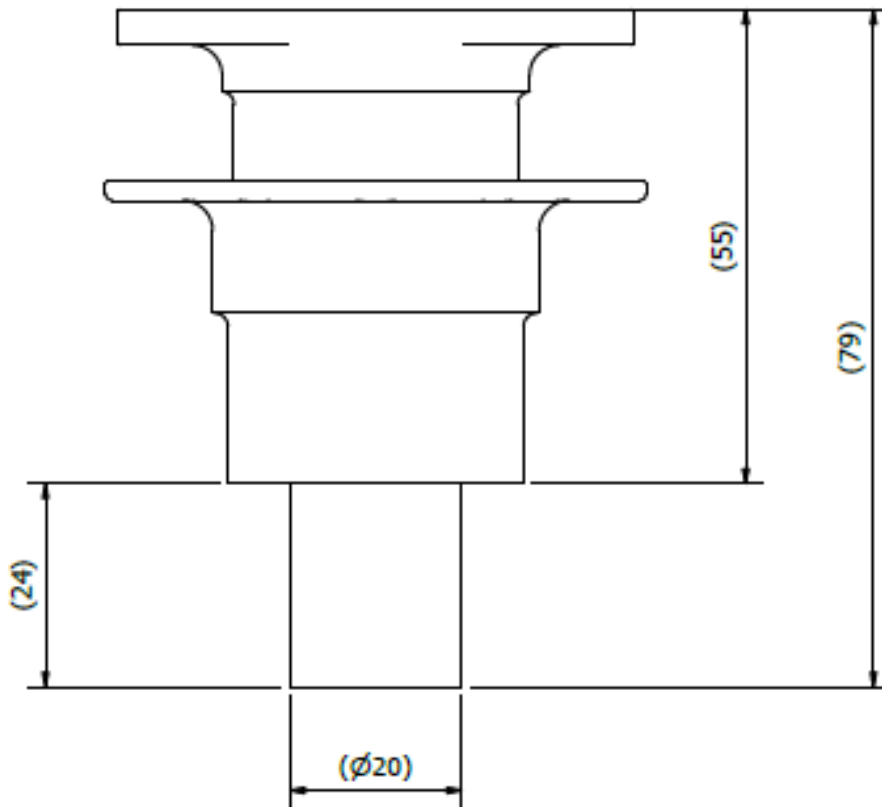
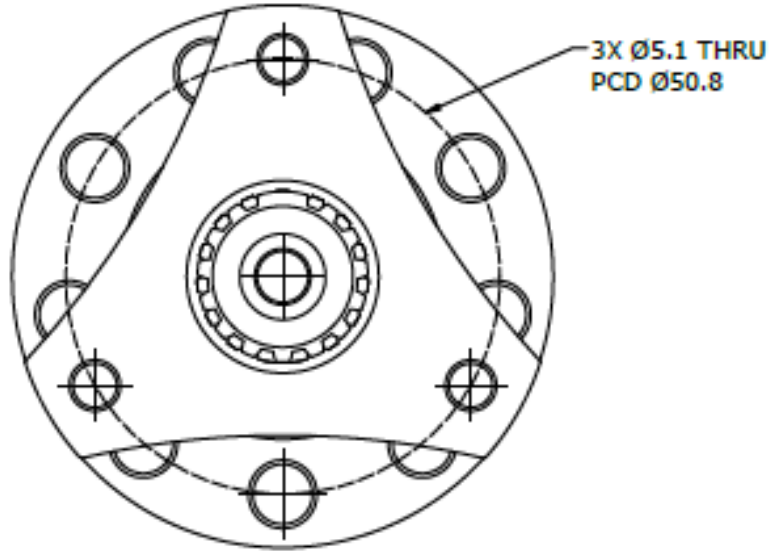
Overview

The Lifeline Quick Release Steering Boss is CNC manufactured using aircraft quality aluminium, hard anodised for strength and durability. Both male and female splines are precision gear cut incorporating a master spline for accurate alignment. The Lifeline Quick Release Steering Boss is available in four different formats:

Formula Car Quick Release

Part Number	410-100-001
Material	Aluminium
Male Spline Material	EN3B Steel
Weight	0.26kg
Overall Dimensions	80 x Ø60mm
Weld-in Spline Diameter	20mm
Bolt Patter	3 x 50.8 PCD

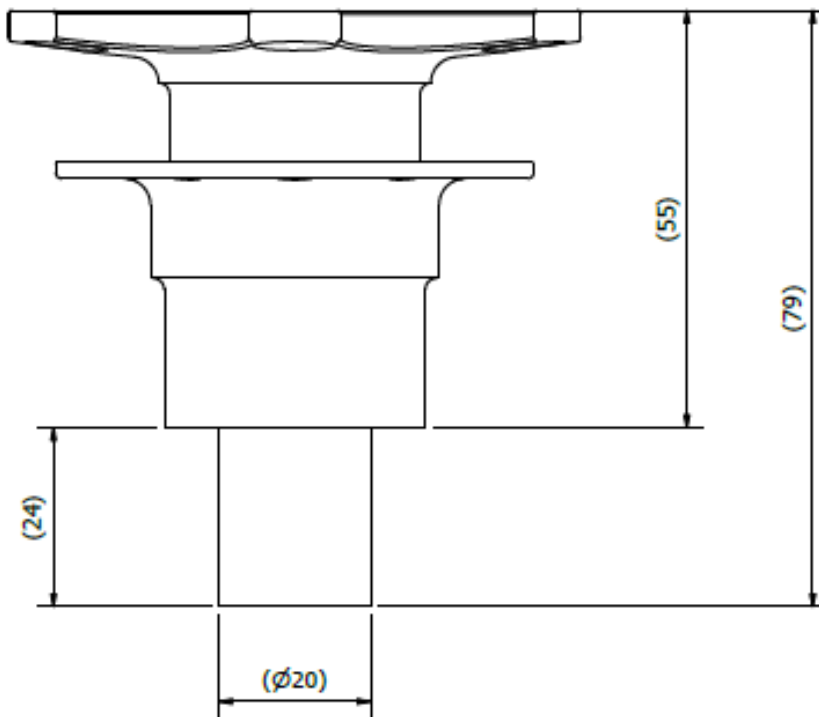
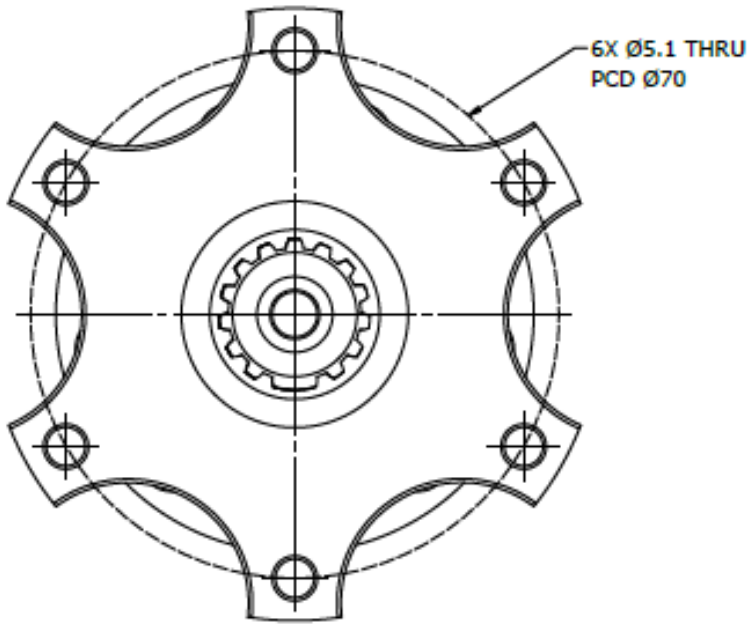




Touring/Rally Car Quick Release

Part Number	410-100-002
Material	Aluminium
Male Spline Material	EN3B Steel
Weight	0.29kg
Overall Dimensions	80 x Ø81mm
Weld-in Spline Diameter	20mm
Bolt Patter	6 x 70 PCD

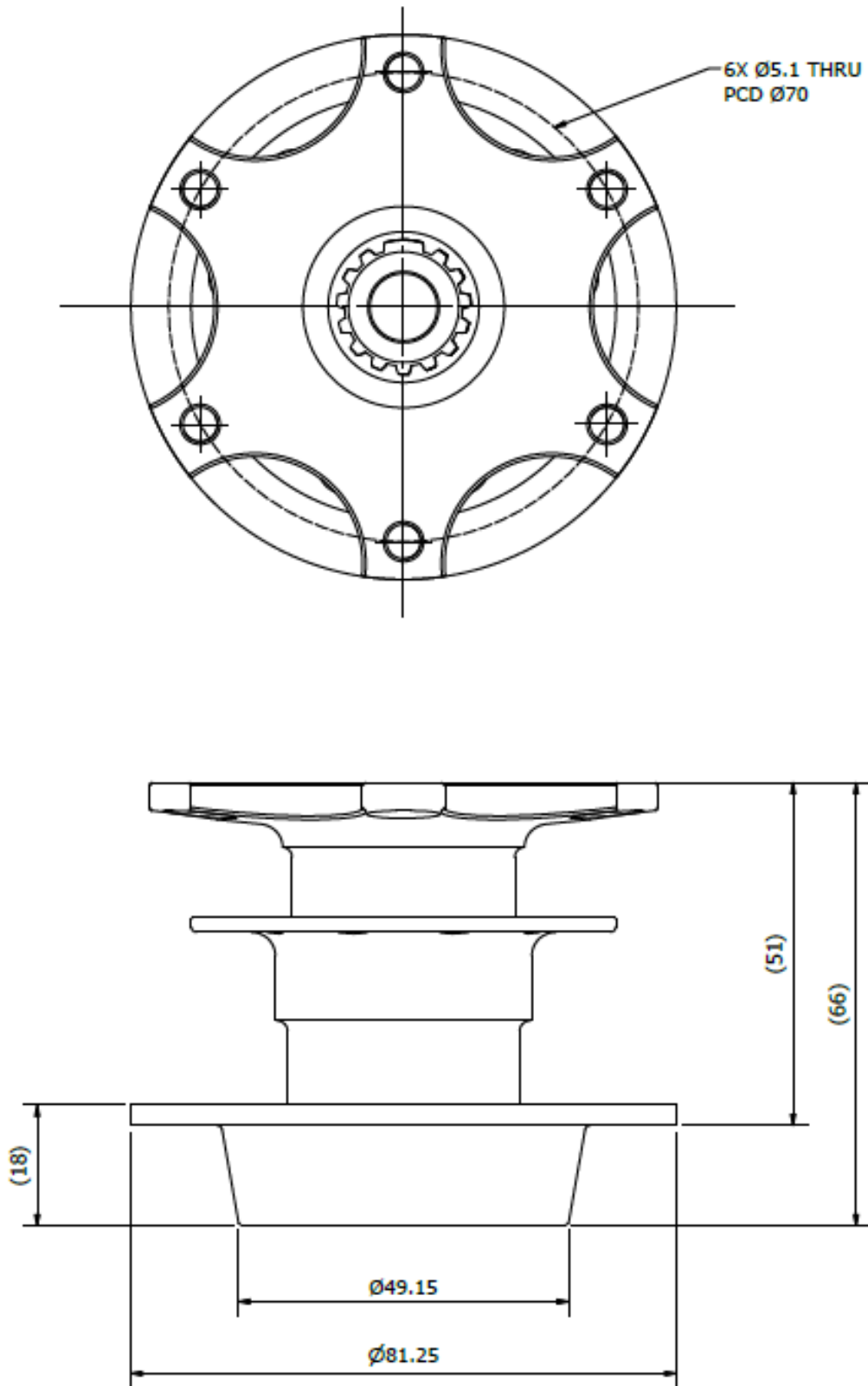




Group N Quick Release

Part Number	410-100-003
Material	Aluminium
Male Spline Material	EN3B Steel
Weight	0.29kg
Overall Dimensions	66 x Ø81mm
Weld-in Spline Diameter	20mm
Bolt Patter	6 x 70 PCD





Electric Quick Releases

Lifeline steering quick release bosses can be supplied with different connector options to allow the use of steering wheel mounted instruments or switch gear. We have different arrangements to suit individual and constructor's needs, details upon request. All connectors are manufactured to IP50 specification. The Formula Car Quick Releases have the options in the table below:

Connector Option	Formula Car Quick Release Part Number
8 Pin Prewired	410-200-001
14 Pin	410-200-031
16 Pin	410-200-007

